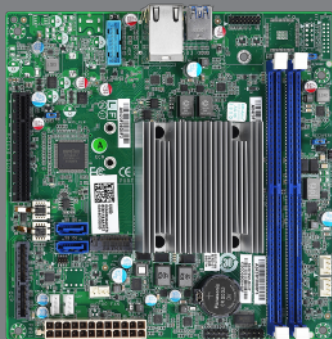
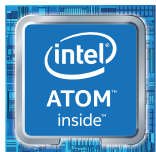
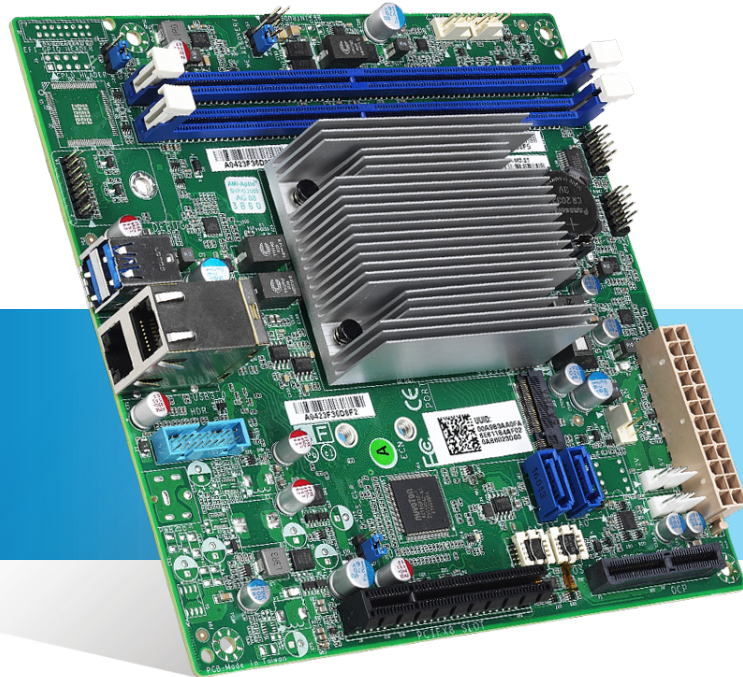


SINGLE INTEL C3000 SERIES SoC SERVER PLATFORM

S3227

* Please visit <http://www.tyan.com> for available SKUs



Intel® Denverton SoC

Single Intel® Atom Denverton SoC server

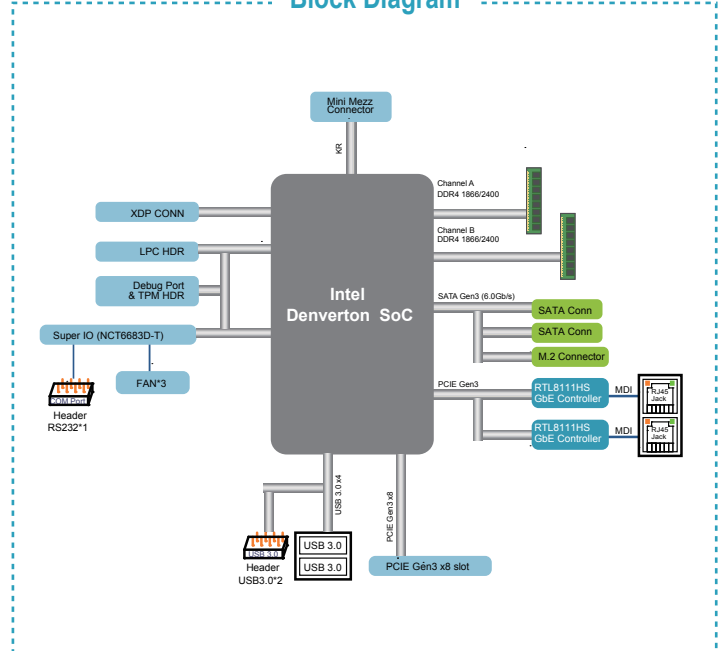
- Single (1) Intel® Atom Denverton processor C3000 Series SoC
- (2) DIMM slots support up to 32GB/64GB UDIMM/RDIMM ECC DDR4 2400/2133, or (1) DIMM slot support up to 16GB/ 32GB UDIMM/ RDIMM ECC DDR4 1866
- (1) PCI-E Gen3 x8 slot (w/ x8 link or x2 link)
- *Low-profile supported only
- (1) SFI connector or
 - (1) SFI connector or w/M3227L8-X557-2C (-2T-C958 SKU only)
- (1) M.2 connector (2242/2260)
 - (2) SATA HDDs by SATA-III connectors running at 6.0Gb/s (RAID Non-support)
- (2) GbE (via Realtek RTL8111H) or
 - (2) 10GbE (from M3227L8-X557-2C TYAN Mezz Card) + (2) GbE (via Realtek RTL8111H) (-2T-C958 SKU)
- Mini-ITX 6.69" x 6.69" (170 x 170mm)

S3227

* Please visit <http://www.tyan.com> for available SKUs

Processor	Supported CPU Series	(1) Intel® Atom Denverton C3000 Series SoC * Please visit http://www.tyan.com for available SKUs	
	Thermal Design Power (TDP) wattage	9W~31W	
Chipset	PCH / PCI-E Switch	-	
	Super I/O	NCT6683D-T	
Memory	Supported DIMM Qty	(2) DIMM slots or (1) DIMM slot	
	DIMM Type / Speed	UDIMM/RDIMM ECC DDR4 2400/2133 or UDIMM / RDIMM ECC DDR4 1866	
	Capacity	Up to 32GB/ 64GB UDIMM/ RDIMM or up to 16GB/ 32GB UDIMM/RDIMM	
	Memory voltage	1.2V	
Expansion Slots	PCI-E	(1) PCI-E Gen3 x8 slot (w/ x8 link or x2 link) *Low-profile supported only	
	Others	(1) SFI connector or (1) SFI connector w/ M3227L8-X557-2C, 2xRJ-45 10GbE ports	
LAN	Port Q'ty	(2) GbE ports or (2) 10GbE ports + (2) GbE ports (-2T-C958 SKU only)	
	Controller	Realtek RTL8111H	
	Pre-install TYAN LAN Mezz Card	(1) M3227L8-X557-2C Intel® 10GbE LAN Mezz Card (-2T-C958 SKU only)	
Storage	SATA	Connector	(2) SATA
		Controller	Intel® Atom Denverton C3000 Series SoC
		Speed	6.0 Gb/s
	RAID	Non-support	
M.2	Connector	(1) M.2 connector (2242/2260)	
Graphic	Connector type	-	
	Chipset	-	
Input /Output	USB	Max up to (2) USB3.0 ports (2 via cable), (2) USB3.0 ports (at rear)	
	COM	(1) header	
	VGA	-	
	RJ-45	(2) GbE ports or (2) 10GbE ports + (2) GbE ports (-2T-C958 SKU only)	
	SAS	-	
	Front Panel	(1) 2 x 5 header	
	SATA	(2) SATA-III connectors	
	Others	SSI/ATX 24-pin + 4-pin power connectors	
	System Monitoring	Chipset	NCT6683D-T
		Voltage	Monitors voltage for CPU, memory, chipset & power supply
Fan		Total (3) 4-pin headers	
Temperature		Monitors temperature for CPU & system environment	
LED		Fan fail LED indicator, Over temperature warning indicator	
Others		Watchdog timer support	

Block Diagram



BIOS	Brand / ROM size	AMI / 16MB
	Feature	ACPI 3.0/ACPI sleeping states S4,S5, SMBIOS 2.8/PnP/Wake on LAN, Boot from USB device ,PXE via LAN ,Storage, User Configurable FAN PWM Duty Cycle, Console Redirection
Form Factor	Form Factor	Mini-ITX
	Board Dimension	6.69" x 6.69" (170 x 170mm)
Operating System	OS supported list	Please refer to our Intel OS supported list.
Regulation	FCC (DoC)	Class B
	CE (DoC)	Yes
Operating Environment	Operating Temp.	10° C ~ 35° C (50° F~ 95° F)
	Non-operating Temp.	- 40° C ~ 70° C (-40° F ~ 158° F)
	In/Non-operating Humidity	90%, non-condensing at 35° C
RoHS	RoHS 6/6 Compliant	Yes

(Specifications are subject to change without notice. Items pictured may only be representative.)