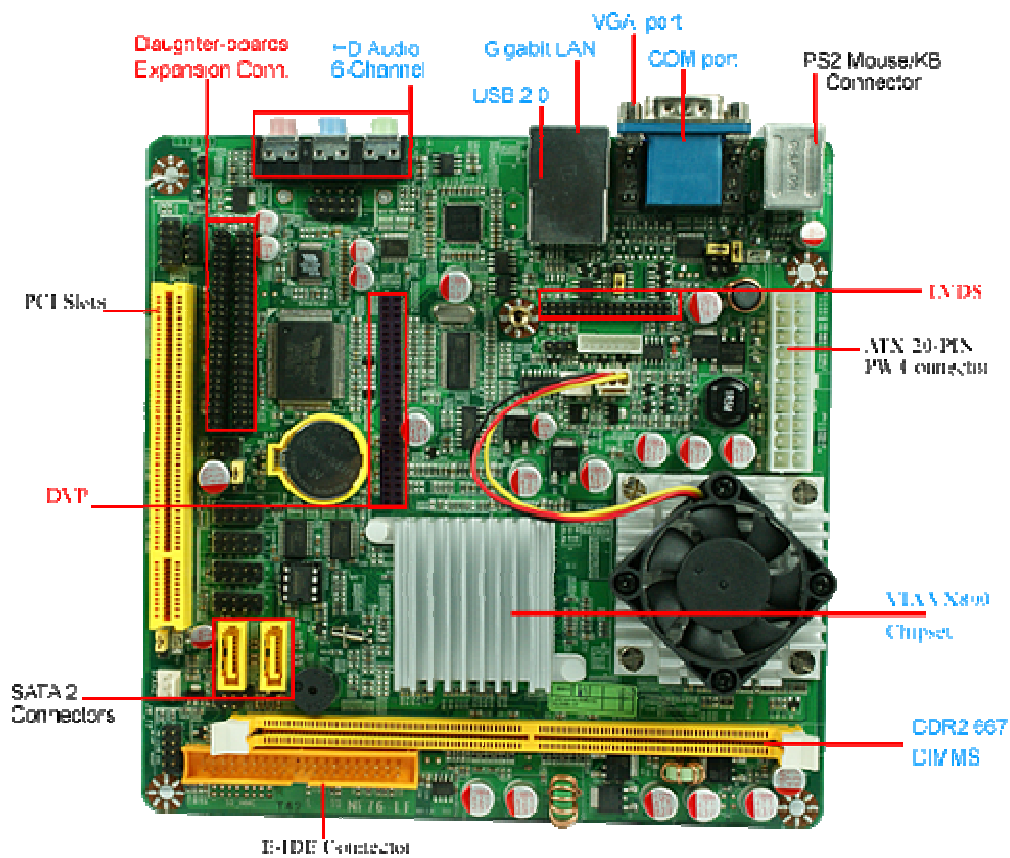


NF76-N1G6-LF

- VIA VX800 Chipset
- Support VIA Nano L2200 (65nm,FSB 800MHz,1.6GHz) processor
- Integrated Chrome9 HC3 DX9 IGP
- Integrated LVDS support 24-bit TFT LCD
- Support 1 x 32-bit PCI slot
- Support 2 x Serial ATA 2 Devices
- Windows Vista Ready
- Onboard Gigabit LAN
- Support DC FAN
- COM2 Support RS422/485
- VIA VT1708B HD Audio Codec with 6-Channel
- 170 x 170mm Mini-ITX Form Factor
- Support Daughter board Expansion
- Support Watch dog Technology









Board Specifications

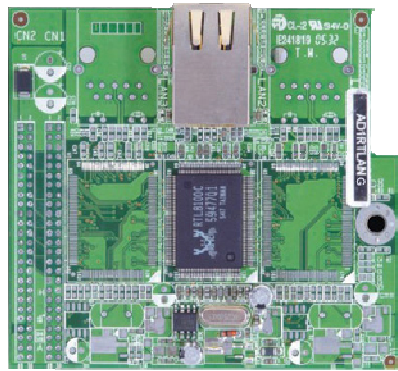
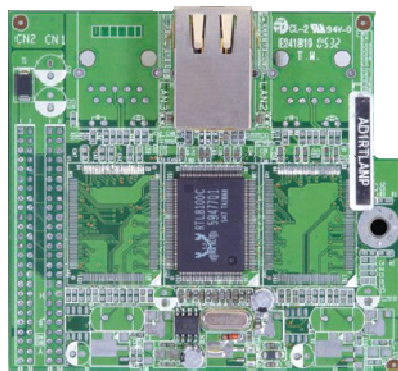
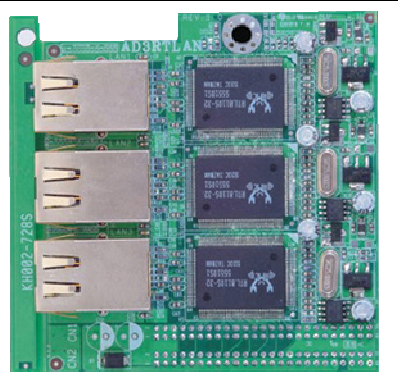

■ CPU	<ul style="list-style-type: none"> ■ Support VIA Nano L2200 (65nm,FSB 800MHz,1.6GHz) processor ■ Front Side Bus 800MHz
■ Chipset	<ul style="list-style-type: none"> ■ VIA VX800 Chipsets ■ VIA Chrome9 HC3 IGP, 128Bit 3D engines(Share System Memory:64/128/256MB)
■ Memory	<ul style="list-style-type: none"> ■ 1 * 240-pin DIMM Sockets for un-buffered DDR2 667MHz SDRAM up to 2GB
■ Expansion Slots	<ul style="list-style-type: none"> ■ 1 * 32-bit PCI slots ■ 1 * Adapter connector
■ Power Management	<ul style="list-style-type: none"> ■ ACPI S3/S4 Compliant ,supports VIA PowerSaver™ feature
■ Storage	<ul style="list-style-type: none"> ■ 2 * Serial ATA2 3Gb/s connectors with RAID 0,1 functions ■ 1 * 40-PIN IDE connector
■ Audio	<ul style="list-style-type: none"> ■ VIA VT1708B HD Audio Code with 6-Channel
■ Ethernet LAN	<ul style="list-style-type: none"> ■ 1 * RTL8111C 10 / 100 / 1000 PCI LAN
■ USB	<ul style="list-style-type: none"> ■ Embedded 6 * USB 2.0/1.1
■ LVDS	<ul style="list-style-type: none"> ■ Onboard 24-bit dual channel LVDS connector
■ Rear Panel I / O	<ul style="list-style-type: none"> ■ 2 * USB 2.0/1.1 ports ■ 1 * PS/2 connector for Keyboard and Mouse ■ 1 * RJ-45 ports ■ 3 * Audio I/O ports (Line-in, mic and line-out) ■ 1 * VGA port ■ 1 * DB-9 RS232 COM port
■ Internal I / O	<ul style="list-style-type: none"> ■ 2 * USB 2.0/1.1 headers for 4 USB 2.0 ports ■ 1 * CPU Smart Fan Connector, 2 * Sys/Chassis Fan Connectors ■ 3 * 9-Pin COM Port headers(COM2 Support RS422/485) ■ 1 * IR header & 1 * 100-pin Daughter board Expansion header ■ 1 * LVDS header & 1 * HDMI_SPDIF header & 1 * 50-pin DVP header
■ BIOS	<ul style="list-style-type: none"> ■ Award 4MB SPI Flash ROM
■ Form Factor	<ul style="list-style-type: none"> ■ Mini-ITX Embedded Motherboard(170mmx170mm)
■ Packing	<ul style="list-style-type: none"> ■ Color Box Dimension : 200(W) x 200(D) x 70(H)mm ■ Cases Gross Weight : 15.4KGS ■ Cases Net Weight : 10.3KGS ■ 20 PCS / Cases, Case size : 720(L) x 410(W) x 200(H)mm
■ Certificate	<ul style="list-style-type: none"> ■ CE,FCC,RoHS
■ Functional	<ul style="list-style-type: none"> ■ ATM, Automation, medical Equipment, Security, Networking, POS, General Application, Gaming Machine, Transportation
■ Temperature	<ul style="list-style-type: none"> ■ Operating within 0~60 centigrade ■ Storage within -20-85 centigrade

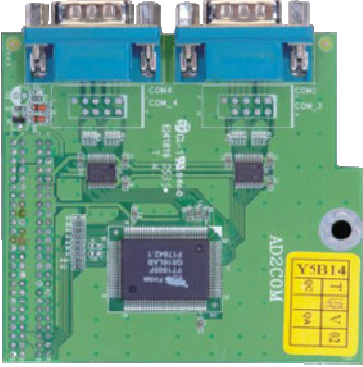
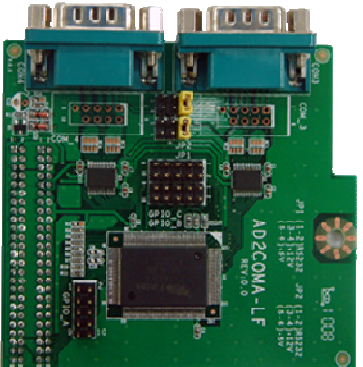
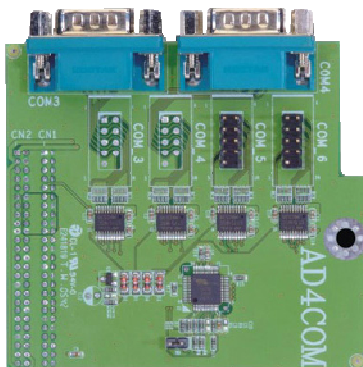
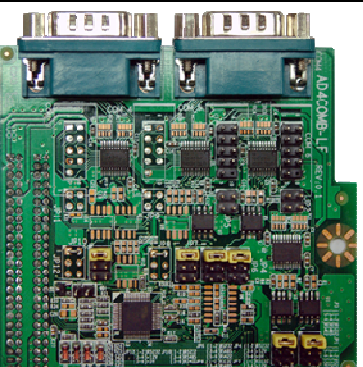
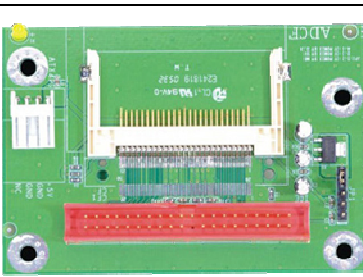
*For further information please visit the website at <http://www.jetway.com.tw>

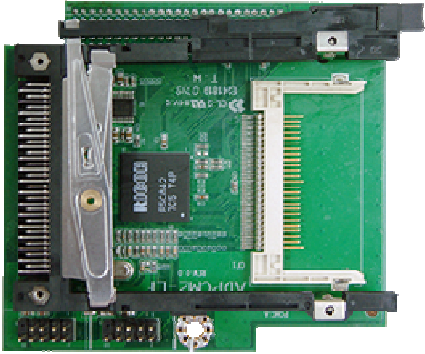
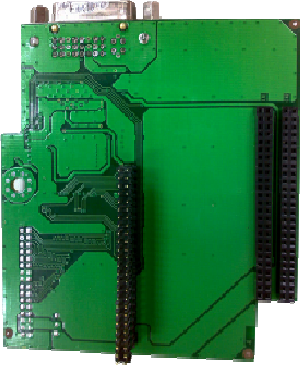
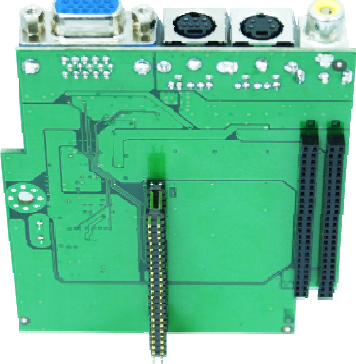
*The Specification may be changed without further notice.

G04-MJW121C-F	G03-NF76-F	G02-CD24-F	G01-HD100-BK-F	G01-SATA-BK-F	F04-093-F
BOX	Manual	CD	IDE Cable	SATA Cable	IO Shield
			 x1	 x1	

Expansion Daughter-boards (Optional)

JAD1RTLNG		Specifications:
		1 * Realtek RTL8110SC PCI Gigabit LAN
		Accessories IO Shield: F04-094-F
JAD1RTLANP		Specifications:
		1 * Realtek RTL8100C PCI 10/100m LAN
		Accessories IO Shield: F04-094-F
JAD3RTLNG		Specifications:
		3 * Realtek RTL8110SC PCI Gigabit LAN
		Accessories IO Shield: F04-094-F
JAD3RTLANP		Specifications:
		3 * Realtek RTL8100C PCI 10/100m LAN
		Accessories

		IO Shield: F04-094-F
JAD2COM		Specifications:
		2 * COM port
		Accessories
		IO Shield: F04-092 F04-143-F for J7F5M series F04-164COM-F for NC92 Manual: G03-MINI-ITX-ADF
JAD2COMGPIO		Specifications:
		2 * COM port + 24 bit GPIO
		Accessories
		IO Shield: F04-092 F04-143-F for J7F5M series F04-164COM-F for NC92 Manual: G03-AD2COMGPIO-F
JAD4COM		Specifications:
		4 * COM port
		Accessories
		IO Shield: F04-092 F04-143-F for J7F5M series F04-164COM-F for NC92 Manual: G03-MINI-ITX-ADF
JAD4COMB		Specifications:
		4 * COM port + 2 RS422/485
		Accessories
		IO Shield: F04-092 F04-143-F for J7F5M series F04-164COM-F for NC92 Manual: G03-AD4COMB-F
JADCF		Specifications:
		IDE to CF Socket
		Accessories

JADPCM2		<p>Specifications:</p> <p>1 * PCMCIA + 1X CF Socket</p> <p>Accessories</p> <p>IO Shield: F04-091 F04-144-F for J7F5M series F04-164PC-F for NC92</p> <p>Manual: G03-MINI-ITX-AD</p>
AD8DVI		<p>Specifications:</p> <p>1 * DVI-D port</p> <p>Accessories</p>
AD8TV		<p>Specifications:</p> <p>1 * VGA port + 1 * HDTV port + 1 * RCA port+1* S-video port</p> <p>Accessories</p>